

Specification MOS(A)/CV403 Issue 3 Dated 26.11.52 To be read in conjunction with K1001, excluding clauses 5.2 and 5.8.	<u>SECURITY</u>	
	<u>Specification</u> UNCLASSIFIED	<u>Valve</u> UNCLASSIFIED

→ Indicates a change

TYPE OF VALVE - Enclosed Triggered Spark Gap CATHODE - Cold ENVELOPE - Glass - unmetallised (Protected - See Note B) PROTOTYPE - VX6113		<u>MARKING</u>	
		See K1001/4	
		<u>BASE</u> B15A3	
<u>RATING</u>		<u>CONNECTIONS</u>	
	Note	Pin	Electrode
Max. Trigger Voltage (kV)	6.0 A	1	Trigger
Min. Working Voltage (kV)	9.0	2 to 7	Omitted
Peak Output Power (kW)	470 A	8	Anode
		9 to 14	Omitted
		15	No Connection
		TC	Cathode
		<u>TOP CAP</u>	
		See K1001/A1/D5.11	
		<u>DIMENSIONS</u>	
		See Drawing, Page 3	

NOTES

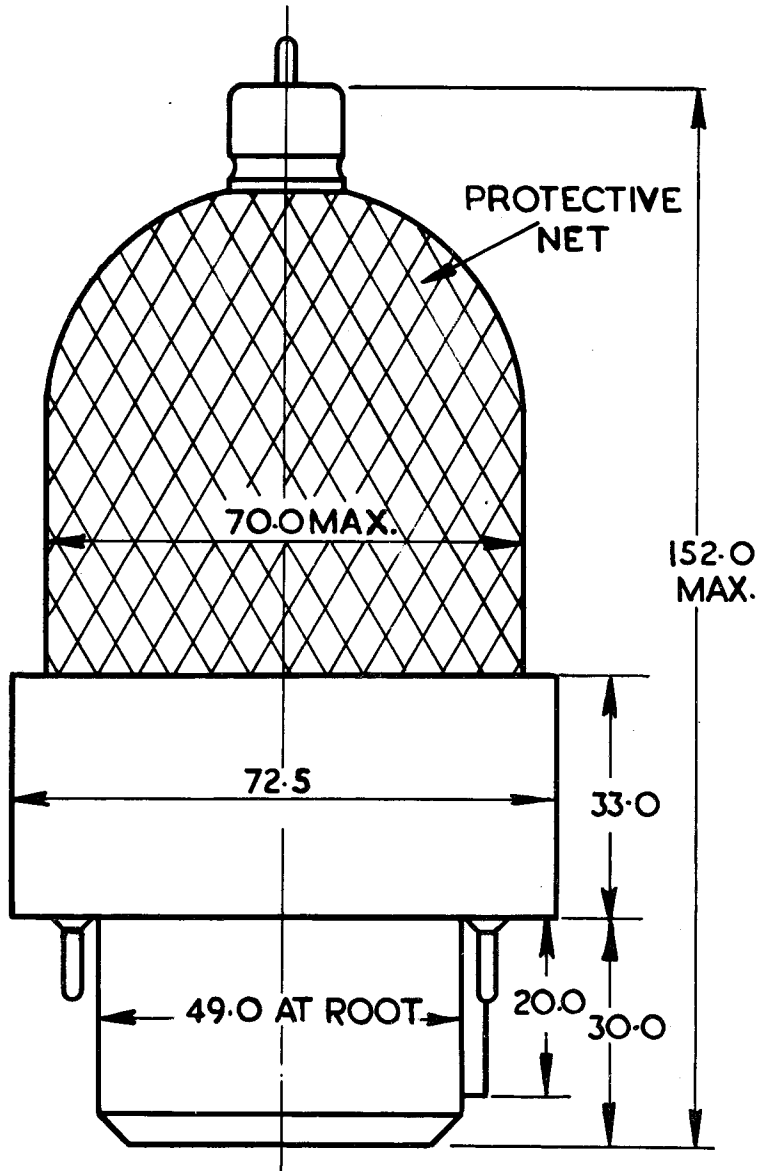
- A. Measured under the following conditions:-
- Main Gap Voltage = 10.2 kV peak
 - Pulse Length = 0.5 μ sec.
 - Repetition Frequency = 800 pps.
- Constant current charging is used and the load and line are matched.
- B. The valve shall be provided with adequate splinter proofing.

To be performed in addition to those applicable in K1001

	Test Conditions	Test	Limits		No. Tested	Note
			Min.	Max.		
a	Cathode Voltage = -6.0 kV max. Trigger voltage shall be derived from an approved pulse generator supplying a positive pulse of 10 kV \pm 10% on open-circuit at a repetition frequency of 800 pps and with a build-up time to max. voltage of 0.5 - 0.75 μ sec. The line shall have an impedance of 50 ohms and designed for a pulse length of 0.5 μ sec, and shall be charged through a choke of 180 H. The external load shall be matched to the line.	A spark shall occur which also delivers power to the load circuit.			100%	
b	Cathode Voltage = -10.2 kV Other conditions as in Test (a).	Trigger breakdown voltage (kV)	-	6.0	100%	
c	Cathode Voltage = -9.0 kV Other conditions as in Test (a).	1. Jitter (μ sec) (Total lateral movement of the trailing edge of the monitored pulse). 2. Fluctuations of amplitude.	-	0.2 \pm 10%	100%	
d	Cathode Voltage = -11.2 kV Other conditions as in Test (a).	1. Jitter (μ sec) (Total lateral movement of the trailing edge of the monitored pulse). 2. Fluctuations of amplitude.	-	0.2 \pm 10%	100%	
e	With the set-up as in Test (a), the cathode voltage shall be increased until unstable operation occurs.	Cathode Voltage at (kV) which irregular breakdown occurs at a rate of between 1-6 times per sec. (i.e. breakdown not correlated with the trigger pulse).	-14.0	-	100% or S.	

NOTE

1. Test (a) must be performed first in the test schedule.



DIMENSIONS IN MMS.